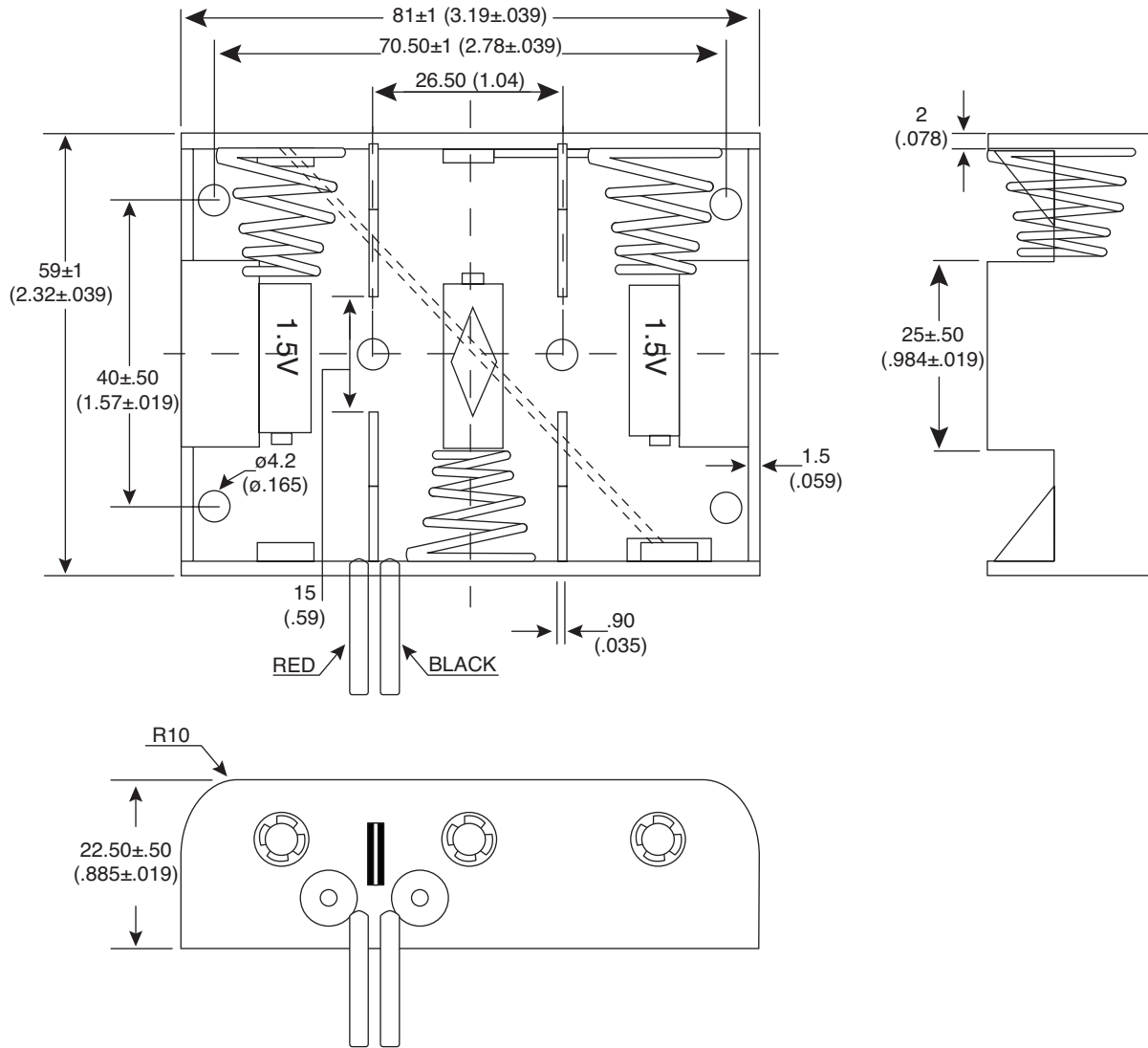


Date Last Revised: 5-10-12



DIMENSIONS: mm (in.)

SPECIFICATIONS	
<b>Wire:</b>	AWG #24
	Black and red 150mm ± 5mm
	Strip and tin 4mm±1mm
<b>Material:</b>	P.P. Resin, black color
<b>Spring:</b>	0.8mm 6.5C spring wire
RoHS Compliant	

Available from Mouser Electronics  
1-800-346-6873 / [www.mouser.com](http://www.mouser.com)

EPD-200693